

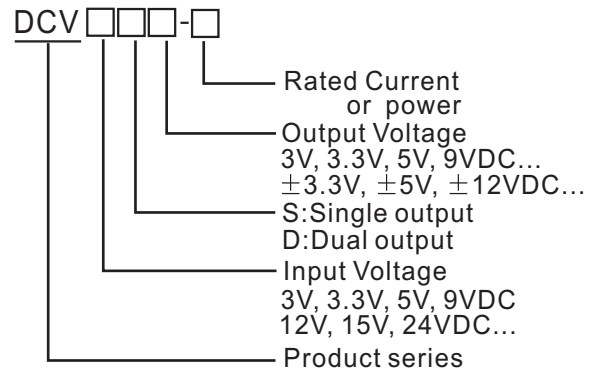
# Fix input & Unregulated single Output 0.1~0.5W Ultra-Mini DC/DC



## ★Specifications (25°C)

Input Voltage	Vin: 3,3.3,5,9,12,15,24VDC...
Input Voltage range	Vin ±10%
Output Voltage	3,3.3,5,9,12,15,24VDC... ±3,±3.3,±5,±9,±12,±15VDC...
Output Voltage Accuracy	Vout ±5%
Line Regulation	1.25% (1% change of Vin)
Load Regulation	8% (Io=20% to 80%)
Ripple & Noise	10-100mVp-p (20MHz)
Temperature coefficient	±0.02%/1°C
Isolation Voltage Rated	1500;3000VDC (60ms/0.5mA)
Isolation Resistance	Min:10GΩ (500VDC)
Isolation Capacitance	60-110pF
Switching Frequency	70-120KHz
MTBF	Up to 1.0 Million Hours(25
Operating Temperature	-40~85°C
Storage Temperature	-40~125°C
Humidity	95%(Max)
Cooling	Free-Air Convection
Package	Sip4:20.4X7.7X10.2mm
Weight	4.3g
Case Material	Non-Conductive Black Plastic

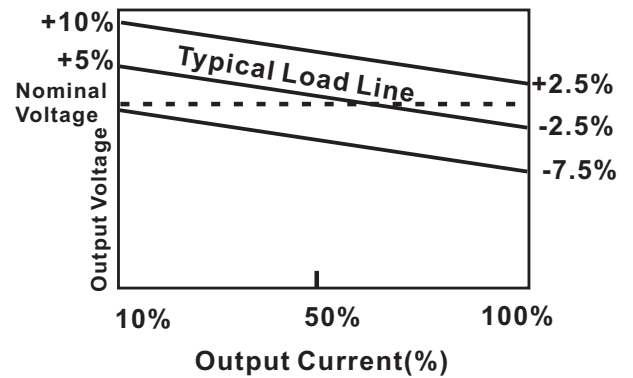
## ★Model Select Guide



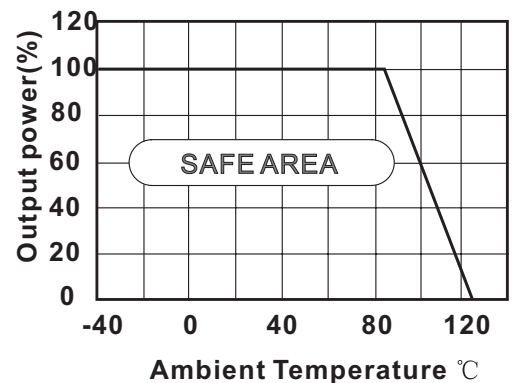
Other specifications please enquire

## ★Derating Curve

Tolerance Envelope Graph



Temperature Derating Graph

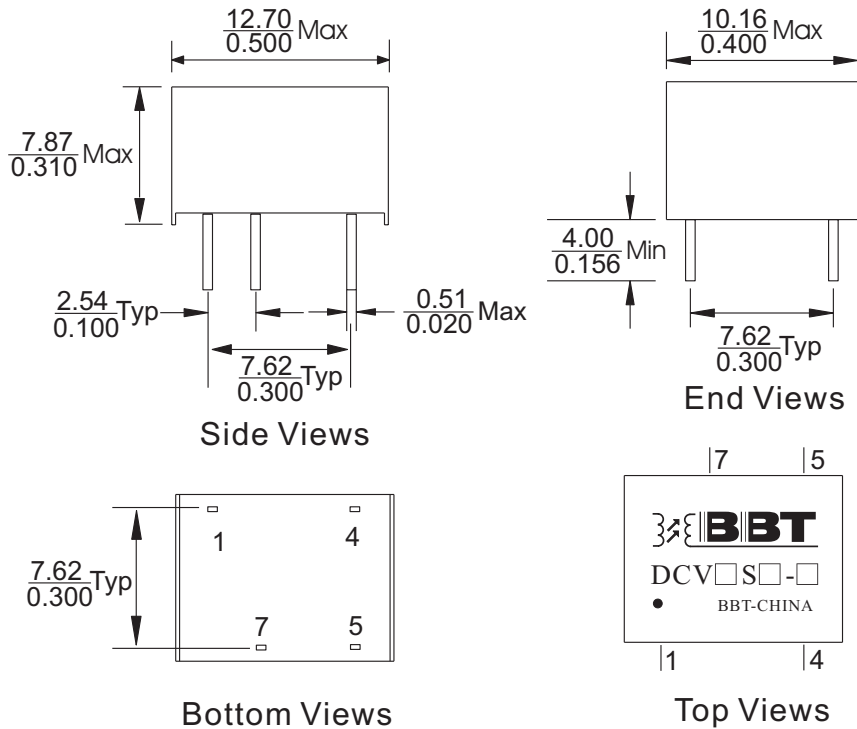


## ★Product Program

Part Number	Input(V) Vin ±10%	Output				Isolation VDC	Efficiency %(MIN)
		+V(V)	+I(mA)	-V(V)	-I(mA)		
DCV3.3S3.3-W5	3.3 2.97~3.63	3.3	151			1500	75
DCV3.3S5-W5		5	100			1500	76
DCV3.3S9-W5		9	56			1500	76
DCV3.3S12-W5		12	42			1500	76
DCV3.3D3.3-W5	3.3 2.97~3.63	3.3	76	-3.3	-76	1500	75
DCV3.3D5-W5		5	50	-5	-50	1500	76
DCV3.3D9-W5		9	28	-9	-28	1500	76
DCV3.3D12-W5		12	21	-12	-21	1500	76
DCV5S3.3-W5	5 4.5~5.5	3.3	151			1500	75
DCV5S5-W5		5	100			1500	76
DCV5S9-W5		9	56			1500	76
DCV5S12-W5		12	42			1500	76
DCV5D3.3-W5	5 4.5~5.5	3.3	76	-3.3	-76	1500	75
DCV5D5-W5		5	50	-5	-50	1500	75
DCV5D9-W5		9	28	-9	-28	1500	76
DCV5D12-W5		12	21	-12	-21	1500	76
DCV12S3.3-W5	12 10.8~13.2	3.3	151			1500	75
DCV12S5-W5		5	100			1500	76
DCV12S9-W5		9	56			1500	76
DCV12S12-W5		12	42			1500	76
DCV12D3.3-W5	12 10.8~13.2	3.3	76	-3.3	-76	1500	75
DCV12D5-W5		5	50	-5	-50	1500	75
DCV12D9-W5		9	28	-9	-28	1500	76
DCV12D12-W5		12	21	-12	-21	1500	76
DCV24S3.3-W5	24 21.6~26.4	3.3	151			1500	75
DCV24S5-W5		5	100			1500	76
DCV24S9-W5		9	56			1500	76
DCV24S12-W5		12	42			1500	76
DCV24D3.3-W5	24 21.6~26.4	3.3	76	-3.3	-76	1500	75
DCV24D5-W5		5	50	-5	-50	1500	76
DCV24D9-W5		9	28	-9	-28	1500	76
DCV24D12-W5		12	21	-12	-21	1500	76

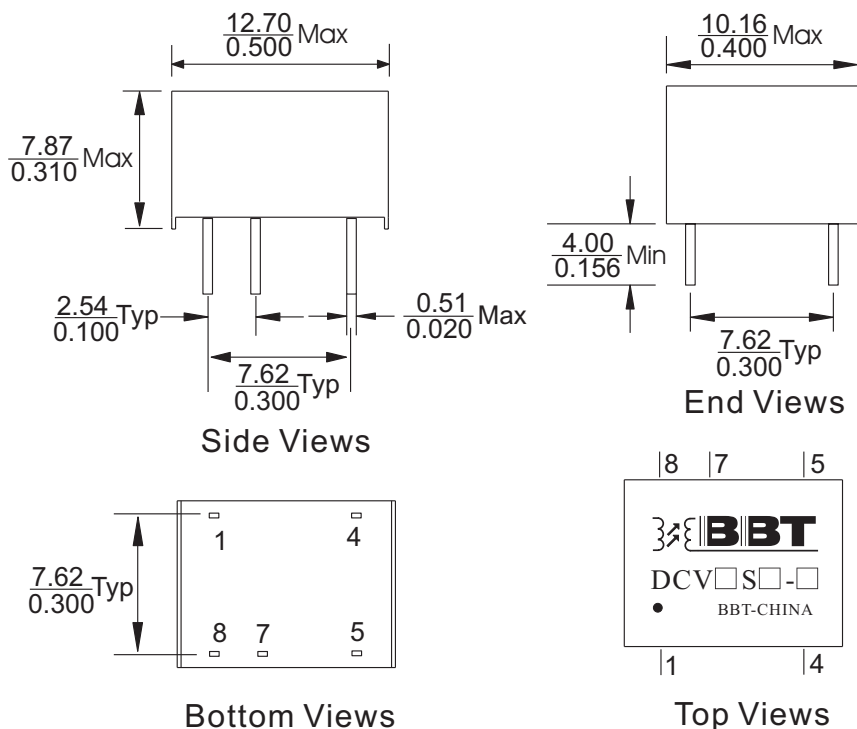
★ Dimensions ( $\frac{mm}{Inch}$ ) & Pin Define

DCV Single output Series



PIN	Single
1	-Vin
4	+Vin
5	+Vout
7	-Vout

DCV Dual output Series



PIN	Single
1	-Vin
4	+Vin
5	+Vout
7	Common
8	-Vout