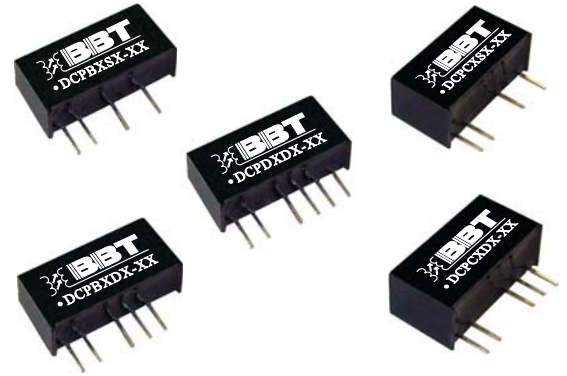


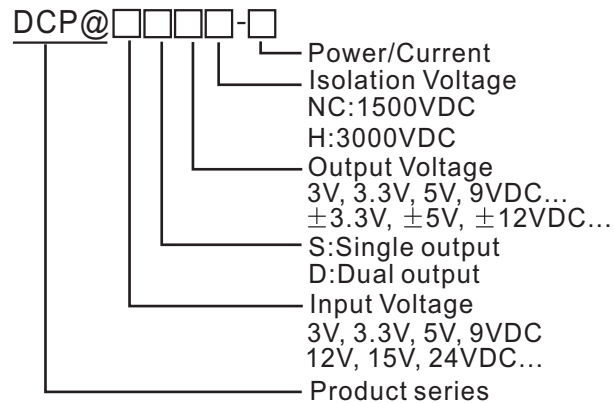
# Fix input & Unregulated single/dual 1~2W Ultra-Mini DC/DC

## ★Specifications (25°C)

Input Voltage	Vin: 3,3,3,5,9,12,15,24VDC...
Input Voltage range	Vin ±10%
Output Voltage	3,3,3,5,9,12,15,24VDC... ±3,±3.3,±5,±9,±12,±15VDC...
Output Voltage Accuracy	Vout ±5%
Line Regulation	1.25% (1% change of Vin)
Load Regulation	8% (Io=20% to 80%)
Ripple & Noise	10-100mVp-p (20MHz)
Temperature coefficient	±0.02%/1°C
Isolation Voltage Rated	1500;3000VDC (60ms/0.5mA)
Isolation Resistance	Min:10GΩ (500VDC)
Isolation Capacitance	60-110pF
Switching Frequency	70-120KHz
MTBF	Up to 1.0 Million Hours(25
Operating Temperature	-40~85°C
Storage Temperature	-40~125°C
Humidity	95%(Max)
Cooling	Free-Air Convection
Package	Sip4:20.4X7.7X10.2mm
Weight	4.3g
Case Material	Non-Conductive Black Plastic



## ★Model Select Guide



@ : B, C, D, S, T, U

DCP@: DCPB, DCPC, DCPD  
DCPS, DCPT, DCPU

Other specifications please enquire

## ★Product Program

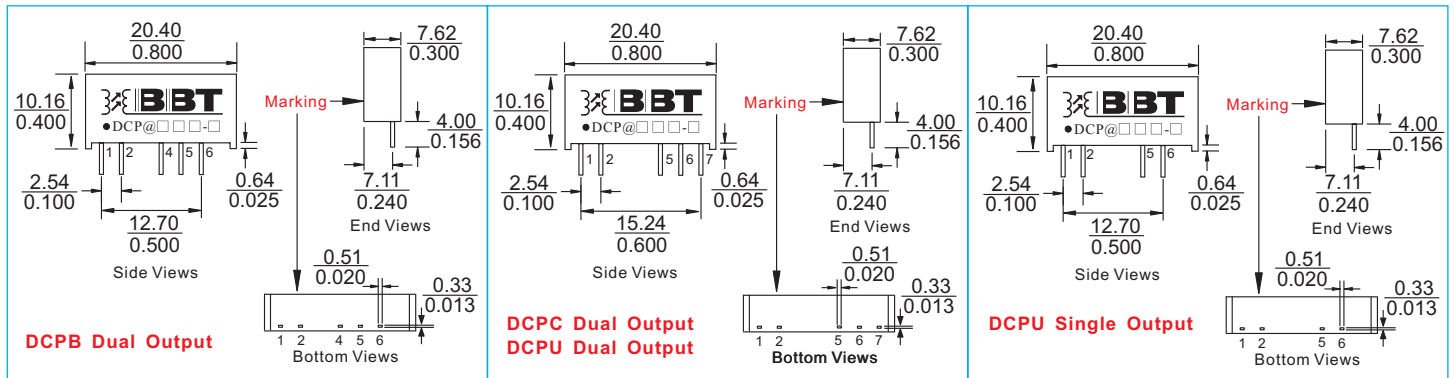
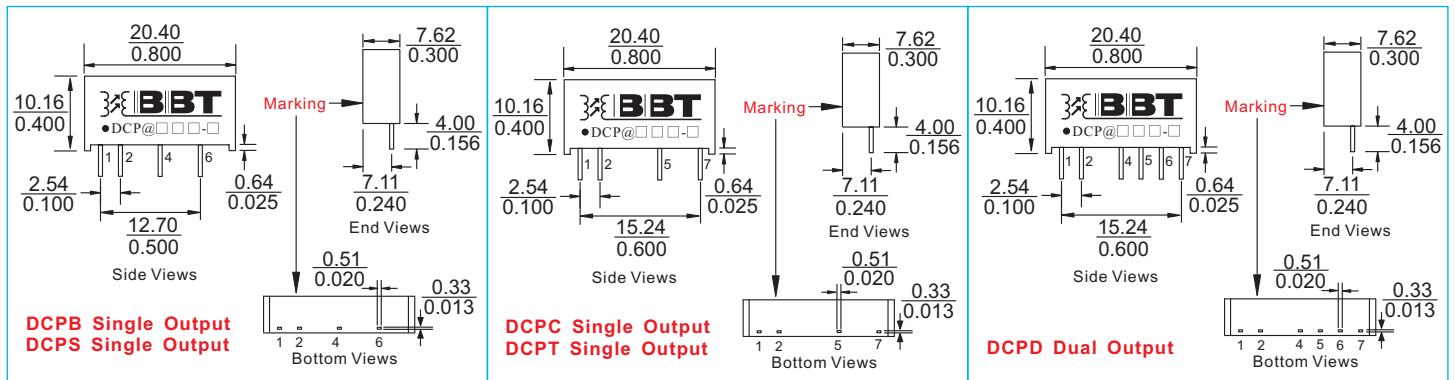
Part Number	Input(V) Vin±10%	Output				Isolation VDC	Efficiency %(MIN)
		+V(V)	+I(mA)	-V(V)	-I(mA)		
DCP@5S3.3-2W	5 4.5~5.5	3.3	500			1500	75
DCP@5S5-2W		5	400			1500	76
DCP@5S9-2W		9	224			1500	76
DCP@5S12-2W		12	168			1500	76
DCP@5S15-2W		15	134			1500	75
DCP@5D3.3-2W	5 4.5~5.5	3.3	300	-3.3	-300	1500	75
DCP@5D5-2W		5	200	-5	-200	1500	76
DCP@5D9-2W		9	112	-9	-112	1500	76
DCP@5D12-2W		12	84	-12	-84	1500	76
DCP@5D15-2W		15	68	-15	-68	1500	75
DCP@12S3.3-2W	12 10.8~13.2	3.3	500			1500	75
DCP@12S5-2W		5	400			1500	76
DCP@12S9-2W		9	224			1500	76
DCP@12S12-2W		12	168			1500	76
DCP@12S15-2W		15	134			1500	75
DCP@12D3.3-2W	12 10.8~13.2	3.3	300	-3.3	-300	1500	75
DCP@12D5-2W		5	200	-5	-200	1500	76
DCP@12D9-2W		9	112	-9	-112	1500	76
DCP@12D12-2W		12	84	-12	-84	1500	76
DCP@12D15-2W		15	68	-15	-68	1500	75
DCP@24S3.3-2W	24 21.6~26.4	3.3	500			1500	75
DCP@24S5-2W		5	400			1500	76
DCP@24S9-2W		9	224			1500	76
DCP@24S12-2W		12	168			1500	76
DCP@24S15-2W		15	134			1500	75
DCP@24D3.3-2W	24 21.6~26.4	3.3	300	-3.3	-300	1500	75
DCP@24D5-2W		5	200	-5	-200	1500	76
DCP@24D9-2W		9	112	-9	-112	1500	76
DCP@24D12-2W		12	84	-12	-84	1500	76
DCP@24D15-2W		15	68	-15	-68	1500	75

Part Number	Input(V) Vin±10%	Output				Isolation VDC	Efficiency %(MIN)
		+V(V)	+I(mA)	-V(V)	-I(mA)		
DCP@5S3.3-2W	5 4.5~5.5	3.3	500			3000	75
DCP@5S5-2W		5	400			3000	76
DCP@5S9-2W		9	224			3000	76
DCP@5S12-2W		12	168			3000	76
DCP@5S15-2W		15	134			3000	75
DCP@5D3.3-2W	5 4.5~5.5	3.3	300	-3.3	-300	3000	75
DCP@5D5-2W		5	200	-5	-200	3000	76
DCP@5D9-2W		9	112	-9	-112	3000	76
DCP@5D12-2W		12	84	-12	-84	3000	76
DCP@5D15-2W		15	68	-15	-68	3000	75
DCP@12S3.3-2W	12 10.8~13.2	3.3	500			3000	75
DCP@12S5-2W		5	400			3000	76
DCP@12S9-2W		9	224			3000	76
DCP@12S12-2W		12	168			3000	76
DCP@12S15-2W		15	134			3000	75
DCP@12D3.3-2W	12 10.8~13.2	3.3	300	-3.3	-300	3000	75
DCP@12D5-2W		5	200	-5	-200	3000	76
DCP@12D9-2W		9	112	-9	-112	3000	76
DCP@12D12-2W		12	84	-12	-84	3000	76
DCP@12D15-2W		15	68	-15	-68	3000	75
DCP@24S3.3-2W	24 21.6~26.4	3.3	500			3000	75
DCP@24S5-2W		5	400			3000	76
DCP@24S9-2W		9	224			3000	76
DCP@24S12-2W		12	168			3000	76
DCP@24S15-2W		15	134			3000	75
DCP@24D3.3-2W	24 21.6~26.4	3.3	300	-3.3	-300	3000	75
DCP@24D5-2W		5	200	-5	-200	3000	76
DCP@24D9-2W		9	112	-9	-112	3000	76
DCP@24D12-2W		12	84	-12	-84	3000	76
DCP@24D15-2W		15	68	-15	-68	3000	75

★Pin Define

PIN	DCPB		DCPC		DCPU		DCPS	DCPT	DCPD
	Single	Dual	Single	Dual	Single	Dual	Single	Single	Dual
1	Vin+	Vin+	Vin+	Vin+	Vin+	Vin+	Vin+	Vin+	Vin+
2	Vin-	Vin-	Vin-	Vin-	Vin-	Vin-	Vin-	Vin-	Vin-
3	NC	NC	NC	NC	NC	NC	NC	NC	NC
4	0V	Vout-	NC	NC	NC	NC	Vout+	NC	V1-
5	NC	0V	0V	Vout-	Vout-	0V	NC	Vout+	V1+
6	Vout+	Vout+	NC	0V	Vout+	Vout+	0V	NC	V2-
7	NC	NC	Vout+	Vout+	NC	Vout-	NC	0V	V2+

★Dimensions: (mm)  
inch



★Derating Curve

