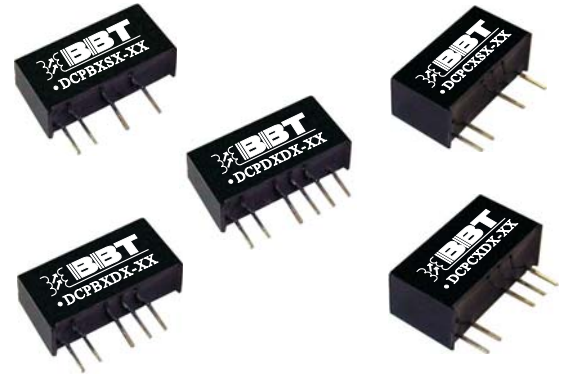


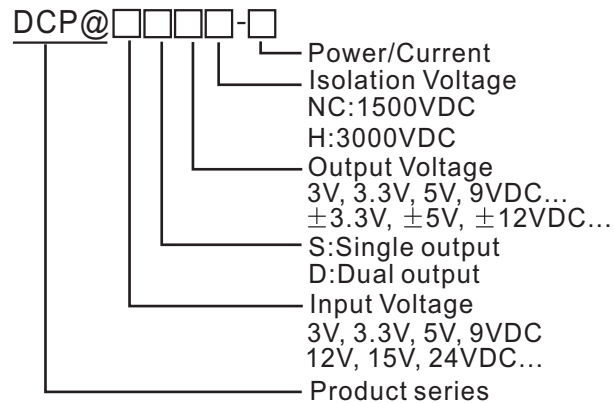
Fix input & Unregulated single/dual 0.1~0.5W Ultra-Mini DC/DC

★Specifications (25°C)

Input Voltage	Vin: 3,3.3,5,9,12,15,24VDC...
Input Voltage range	Vin ±10%
Output Voltage	3,3.3,5,9,12,15,24VDC... ±3,±3.3,±5,±9,±12,±15VDC...
Output Voltage Accuracy	Vout ±5%
Line Regulation	1.25% (1% change of Vin)
Load Regulation	8% (Io=20% to 80%)
Ripple & Noise	10-100mVp-p (20MHz)
Temperature coefficient	±0.02%/1°C
Isolation Voltage Rated	1500;3000VDC (60ms/0.5mA)
Isolation Resistance	Min:10GΩ (500VDC)
Isolation Capacitance	60-110pF
Switching Frequency	70-120KHz
MTBF	Up to 1.0 Million Hours(25)
Operating Temperature	-40~85°C
Storage Temperature	-40~125°C
Humidity	95%(Max)
Cooling	Free-Air Convection
Package	Sip4:20.4X7.7X10.2mm
Weight	4.3g
Case Material	Non-Conductive Black Plastic



★Model Select Guide



@ : B, C, D, S, T, U

DCP@: DCPB, DCPC, DCPD
DCPS, DCPT, DCPU

Other specifications please enquire

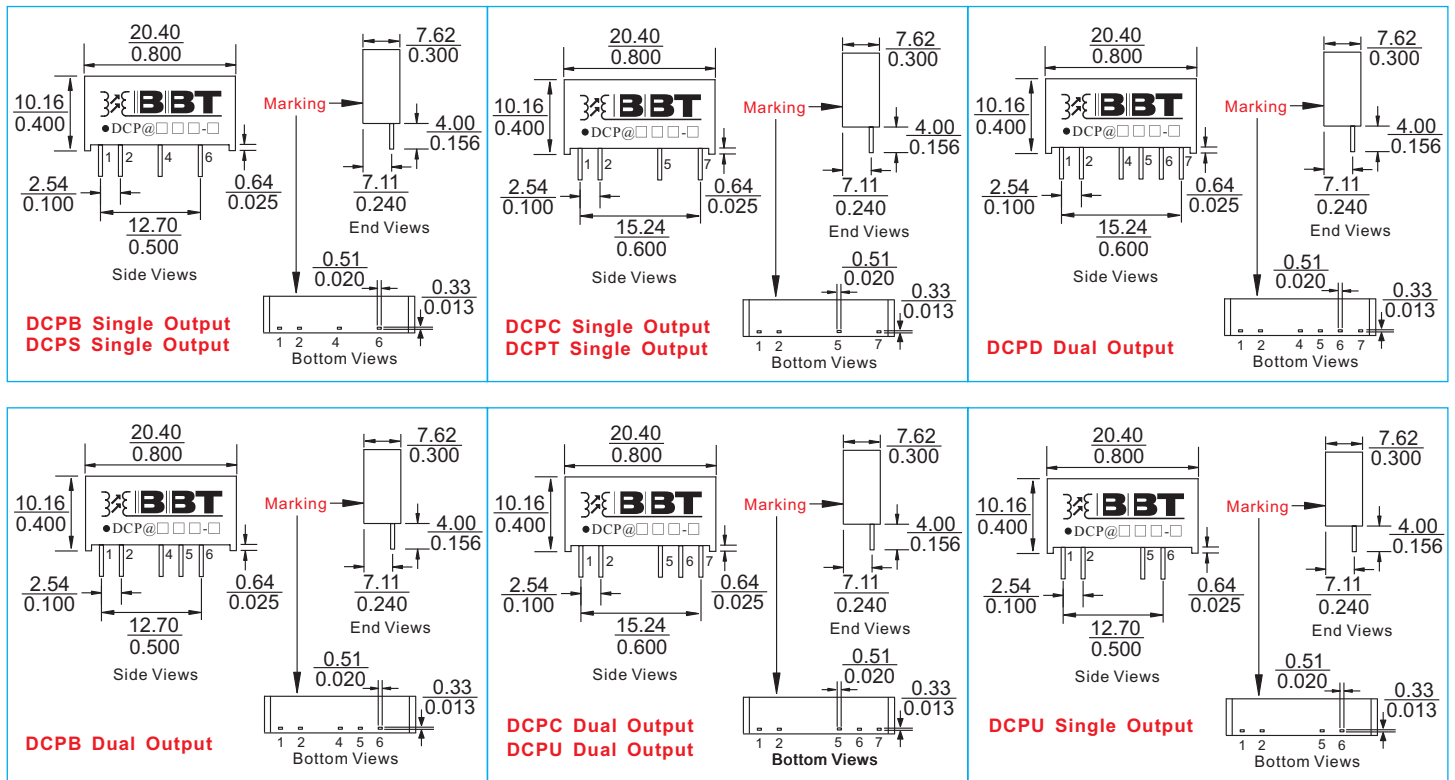
★Product Program

Part Number	Input(V) Vin±10%	Output				Isolation VDC	Efficiency %(MIN)	Part Number	Input(V) Vin±10%	Output				Isolation VDC	Efficiency %(MIN)
		+V(V)	+I(mA)	-V(V)	-I(mA)					+V(V)	+I(mA)	-V(V)	-I(mA)		
DCP@5S3.3-W5	5 4.5~5.5	3.3	152			1500	75	DCP@5S3.3H-W5	5 4.5~5.5	3.3	152			3000	75
DCP@5S5-W5		5	100			1500	76	DCP@5S5H-W5		5	100			3000	76
DCP@5S9-W5		9	56			1500	76	DCP@5S9H-W5		9	56			3000	76
DCP@5S12-W5		12	42			1500	76	DCP@5S12H-W5		12	42			3000	76
DCP@5S15-W5		15	33			1500	75	DCP@5S15H-W5		15	33			3000	75
DCP@5D3.3-W5	5 4.5~5.5	3.3	76	-3.3	-76	1500	75	DCP@5D3.3H-W5	5 4.5~5.5	3.3	76	-3.3	-76	3000	75
DCP@5D5-W5		5	50	-5	-50	1500	76	DCP@5D5H-W5		5	50	-5	-50	3000	76
DCP@5D9-W5		9	28	-9	-28	1500	76	DCP@5D9H-W5		9	28	-9	-28	3000	76
DCP@5D12-W5		12	21	-12	-21	1500	76	DCP@5D12H-W5		12	21	-12	-21	3000	76
DCP@5D15-W5		15	17	-15	-17	1500	75	DCP@5D15H-W5		15	17	-15	-17	3000	75
DCP@12S3.3-W5	12 10.8~13.2	3.3	152			1500	75	DCP@12S3.3H-W5	12 10.8~13.2	3.3	152			3000	75
DCP@12S5-W5		5	100			1500	76	DCP@12S5H-W5		5	100			3000	76
DCP@12S9-W5		9	56			1500	76	DCP@12S9H-W5		9	56			3000	76
DCP@12S12-W5		12	42			1500	76	DCP@12S12H-W5		12	42			3000	76
DCP@12S15-W5		15	33			1500	75	DCP@12S15H-W5		15	33			3000	75
DCP@12D3.3-W5	12 10.8~13.2	3.3	76	-3.3	-76	1500	75	DCP@12D3.3H-W5	12 10.8~13.2	3.3	76	-3.3	-76	3000	75
DCP@12D5-W5		5	50	-5	-50	1500	76	DCP@12D5H-W5		5	50	-5	-50	3000	76
DCP@12D9-W5		9	28	-9	-28	1500	76	DCP@12D9H-W5		9	28	-9	-28	3000	76
DCP@12D12-W5		12	21	-12	-21	1500	76	DCP@12D12H-W5		12	21	-12	-21	3000	76
DCP@12D15-W5		15	17	-15	-17	1500	75	DCP@12D15H-W5		15	17	-15	-17	3000	75
DCP@24S3.3-W5	24 21.6~26.4	3.3	152			1500	75	DCP@24S3.3H-W5	24 21.6~26.4	3.3	152			3000	75
DCP@24S5-W5		5	100			1500	76	DCP@24S5H-W5		5	100			3000	76
DCP@24S9-W5		9	56			1500	76	DCP@24S9H-W5		9	56			3000	76
DCP@24S12-W5		12	42			1500	76	DCP@24S12H-W5		12	42			3000	76
DCP@24S15-W5		15	33			1500	75	DCP@24S15H-W5		15	33			3000	75
DCP@24D3.3-W5	24 21.6~26.4	3.3	76	-3.3	-76	1500	75	DCP@24D3.3H-W5	24 21.6~26.4	3.3	76	-3.3	-76	3000	75
DCP@24D5-W5		5	50	-5	-50	1500	76	DCP@24D5H-W5		5	50	-5	-50	3000	76
DCP@24D9-W5		9	28	-9	-28	1500	76	DCP@24D9H-W5		9	28	-9	-28	3000	76
DCP@24D12-W5		12	21	-12	-21	1500	76	DCP@24D12H-W5		12	21	-12	-21	3000	76
DCP@24D15-W5		15	17	-15	-17	1500	75	DCP@24D15H-W5		15	17	-15	-17	3000	75

★Pin Define

PIN	DCPB		DCPC		DCPU		DCPS	DCPT	DCPD
	Single	Dual	Single	Dual	Single	Dual	Single	Single	Dual
1	Vin+	Vin+	Vin+	Vin+	Vin+	Vin+	Vin+	Vin+	Vin+
2	Vin-	Vin-	Vin-	Vin-	Vin-	Vin-	Vin-	Vin-	Vin-
3	NC	NC	NC	NC	NC	NC	NC	NC	NC
4	0V	Vout-	NC	NC	NC	NC	Vout+	NC	V1-
5	NC	0V	0V	Vout-	Vout-	0V	NC	Vout+	V1+
6	Vout+	Vout+	NC	0V	Vout+	Vout+	0V	NC	V2-
7	NC	NC	Vout+	Vout+	NC	Vout-	NC	0V	V2+

★Dimensions: (mm)
inch



★Derating Curve

